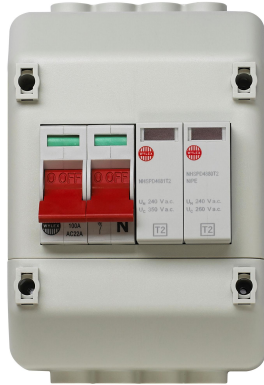




REC2SPD DATA SHEET

Comprising of: 3 part seal and secure enclosure with 2 pole 100A switch disconnecter and Integral Surge Protection Device NHSPD4621T2



- **Function:**
Manual control of all kinds of electrical devices.
- **Applications:**
Suitable for Resistive and moderately inductive loads eg: switching of lighting and heating control boards in homes, shops, offices, warehouses, factories, hospitals, etc.
- **Features:**
All switches are lockable through padlock or by means of a lock.

ENCLOSURE

SWITCH DISCONNECTOR

Material	Industrial polycarbonate	Nominal current In	100A 240V AC
IP Rating	IP 40	Number of modules	2
Colour	Grey	Standards	BSEN 60947-3
Device fixing Type	Din rail	Protection degree	IP20 Terminal screws
Cable Entry	4 on Top (Max 25mm) 4 on Bottom (Max 25mm)	Category of Duty	AC22A-100A
Front Cover	Two part type (Top and Bottom)	Terminal capacity: max (mm²)	1 x 50 mm ²
Anti-tamper security	Using wire seal	Terminal capacity: min (mm²)	1 x 6 mm ²
Top cover	Sealed using wire seal	Short-circuit resistance without upfront fuses	7kA (summit)
Bottom cover	Sealed using wire seal	Short-circuit resistance with upfront fuses	16kA (nom)
Modules	Standard 2 modules Max opening 4 modules	Mechanical service life (complete on-off-cycle)	>8500
Base	One part base unit	Electrical service life	>1500
Blanks	Comes complete with 3 x PVC blanking plugs	Max. allowed current during less than 1 sec. (kA)	2kA

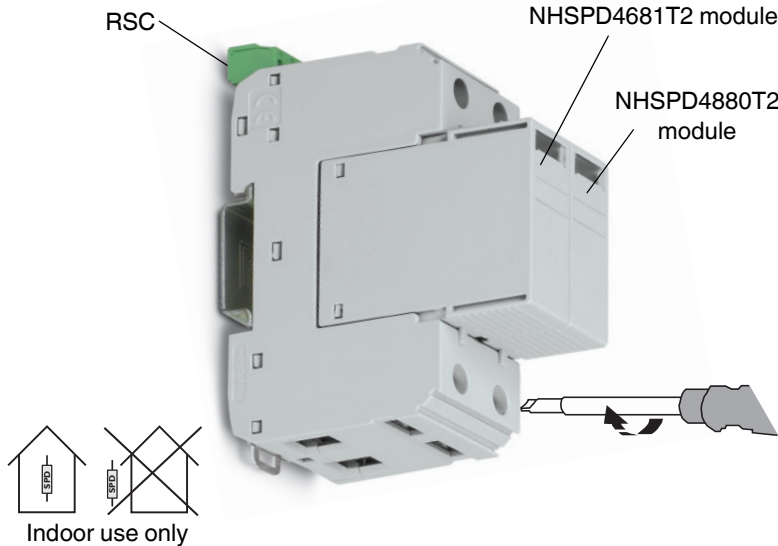
Dimensions

Height	Width	Depth	Total Depth to Dolly
149mm	100mm	63mm	79mm



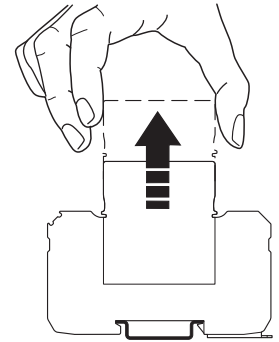
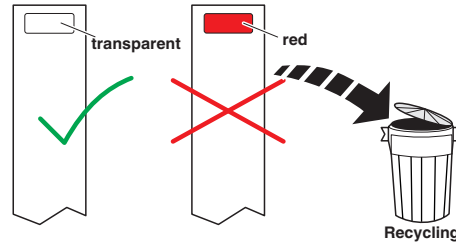
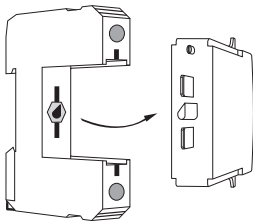
INSTALLATION INSTRUCTIONS

NHSPD4621T2



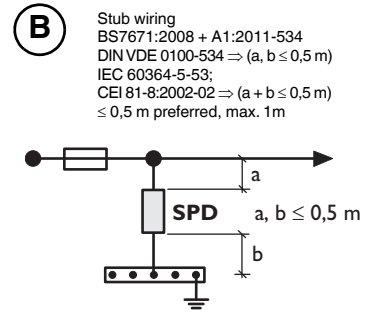
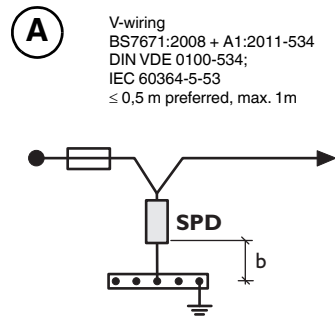
NHSPD4621T2	
protective system	TN-S / TT
requirement class	C acc. to E DIN VDE 0675-6; SPD class II acc. to IEC 61643-11; SPD Type 2 acc. to EN 61643-11
max. continuous operating voltage U_C	L-N / N-PE 350 V a.c. / 260 V a.c.
nominal voltage U_N	230...240 V a.c. 50/60 Hz
nominal discharge current I_n (8/20) μ s	20 kA
max. discharge current I_{max} (8/20) μ s	40 kA
protection level U_p	≤ 1.5 kV
short-circuit current rating I_{SCCR}	25 kA _{eff}
operating temperature range	-40 ... +80°C
degree of protection	IP20
max. backup fuse	Application A: 80 A gG Application B: 125 A gG
\varnothing min. L, N, PE	16 mm 1.5 mm ² 16 mm 1.5 mm ²
\varnothing max. L, N, PE	35 mm ² 25 mm ²
tightening torque	3 Nm (1.5 mm ² ... 16 mm ²) 4,5 Nm (25 mm ² ... 35 mm ²)
replacement plug in module	NHSPD4681T2 NHSPD4880T2

Coding



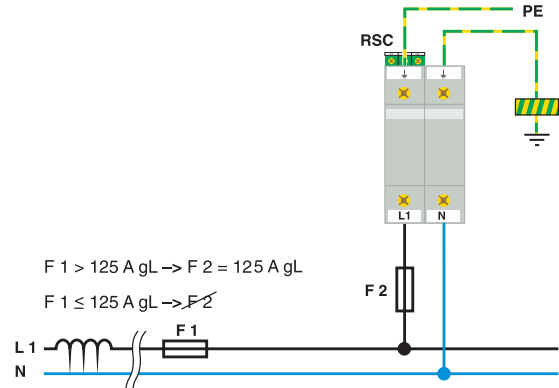
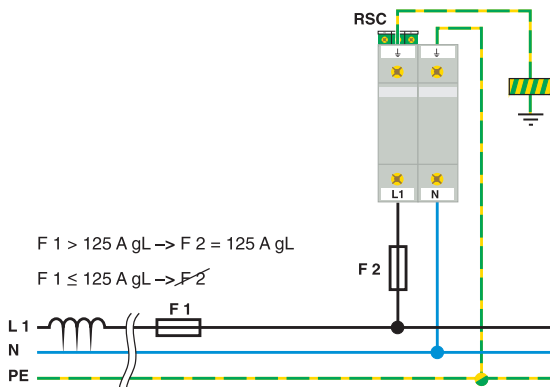
remote signalling contact NHSPD4621T2	
	U_{max}/I_{max} a.c.: 250 V / 1.5 A
	U_{max}/I_{max} d.c.: 125 V / 0.2 A 30 V / 1A
	0.14 mm ² - 1.5 mm ²

Installation



TN-S

TT



Safety instructions
see back view



INSTALLATION INSTRUCTIONS

Electrium Sales Limited
Walkmill Lane, Cannock, WS11 0XE, England
Tel: 01543 455000
Fax: 01543 455001

NHSPD4621T2 are surge arresters for DIN rail mounting, consisting of surge arresters NHSPD4681T2 (for 350 V), and NHSPD4880T2 (for 260 V) on a varistor basis.



Safety notes

The device may only be connected and installed by a qualified electrician. The national rules and safety regulations must be observed (see also BS7671:2008). Country-specific regulations and laws must also be observed.
The device may only be used under the conditions shown and referred to in these installation instructions. Loads above the values indicated can lead to the destruction of the device and the electrical equipment connected.
The manufacturer's warranty no longer applies if the device is opened.

Insulation resistance measurements

Unplug all the protection modules before performing an insulation resistance measurement in the system. Otherwise inaccurate measurements are possible. Re-insert the plug modules into the base element after the insulation resistance measurement.