



Product Description: EFD[™] GU10 IP65 Aluminium Fire Rated Downlight

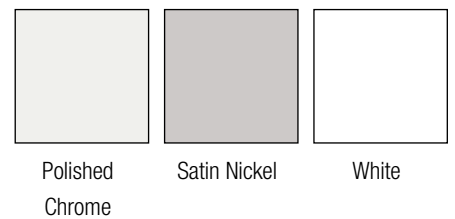
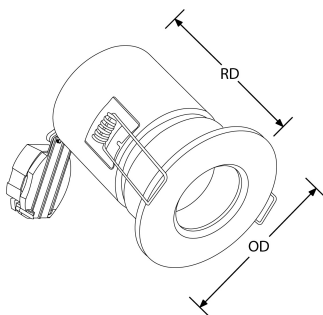
The complete EFD[™] GU10 range of compact fire rated downlights are perfect for a wide range of applications and installations. Available in fixed, adjustable, IP65 rated and various colour finishes, the range utilises patented integrated intumescent material completely sealing the downlight and cut-out in the event of a fire.

SKU Code	Finish Colour
EN-FD103PC	Polished Chrome
EN-FD103SN	Satin Nickel
EN-FD103W	White

Line Drawing

Polar Curve

Colour



Feature & Benefits

- Loop in/out terminal block for quick & easy installation
- Tested in 30, 60 & 90 min fire rated ceilings
- Fire tested with solid timber, joist and metal web joists
- 3 year warranty

Product Specs:

Input Voltage	240~240V AC	Input Frequency	50/60HZ
IP Rating	IP65	Lamp Base	GU10
Overall Diameter (mm)	87	Weight (Kg)	0.259
Projection (mm)	5.8	Height (mm)	130
Product Type	Downlights,Fire-Rated Downlight	Cutout Diameter (mm)	75-75

Compliance & Approvals:



Warranty:

This product has a warranty period of 3 Years. Warranties may be available on certain products as indicated in the product description. Warranties are valid from the date of purchase. The warranty is invalid in the case of improper use, installation, tampering, removal of the Q.C. date label or installation in an improper working environment or installation. Should this product fail during the warranty period it will be replaced free of charge, subject to the correct installation of the original product and subsequent return of the faulty unit. Aurora does not accept responsibility for any installation costs associated with the replacement of this product and Aurora reserves the right to alter specifications without prior notice.